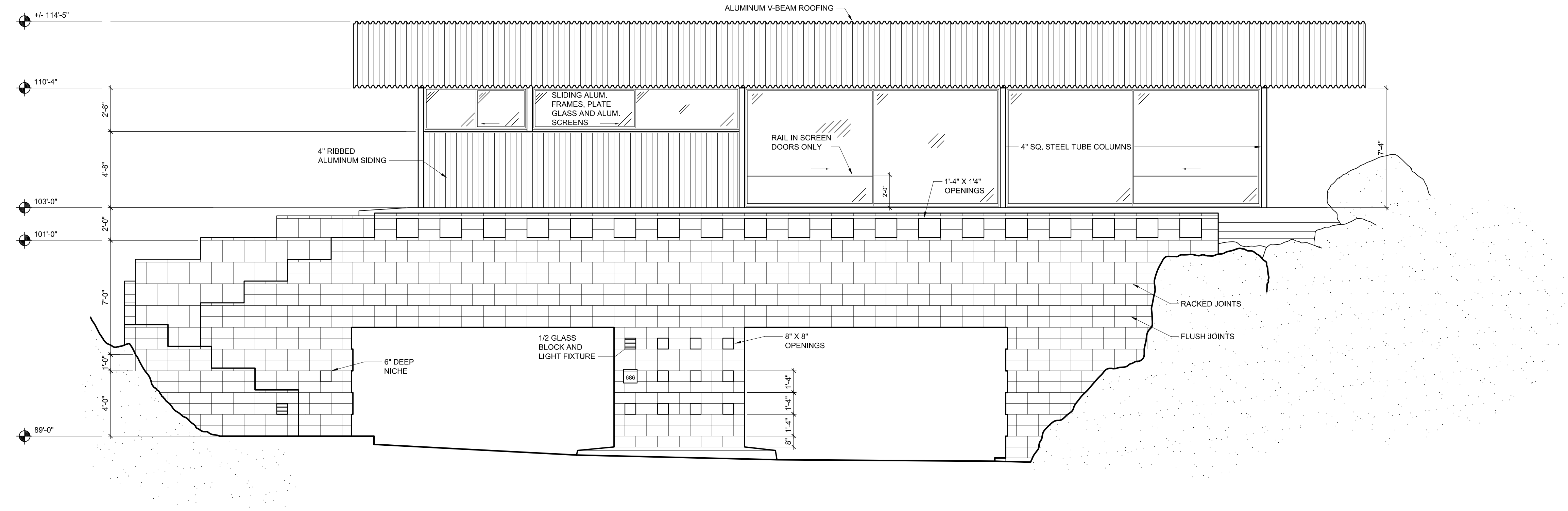




GENERAL NOTES  
1. Do not scale drawings. Dimensions govern.  
2. All dimensions should be verified on site before proceeding with the work.

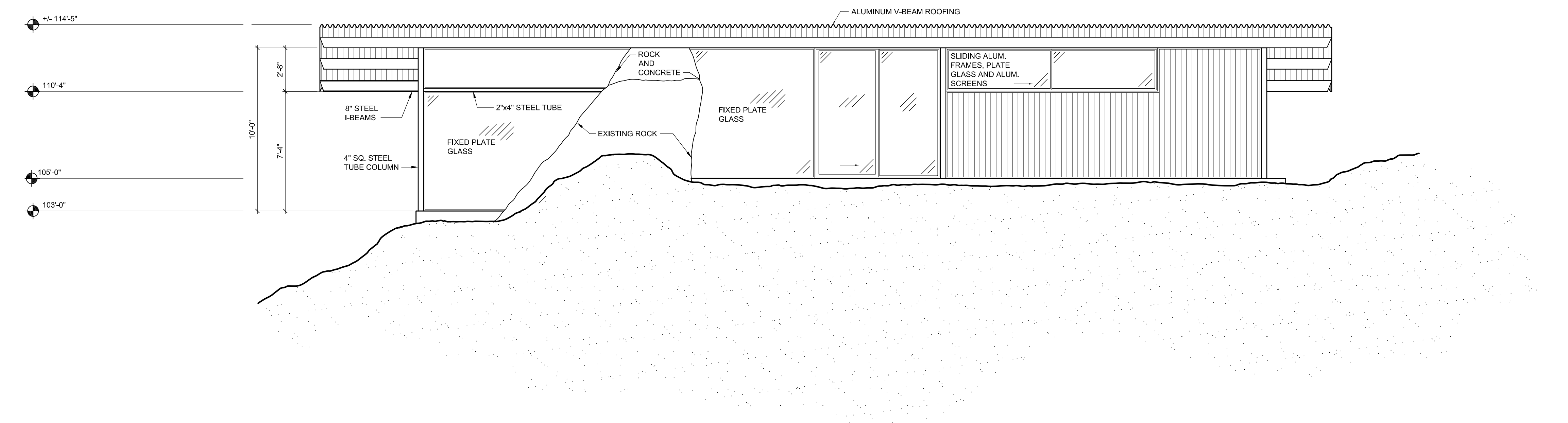
SPECIFIC NOTES



## SOUTH ELEVATION

SCALE :  $\frac{1}{4}'' = 1' - 0''$

A



## NORTH ELEVATION

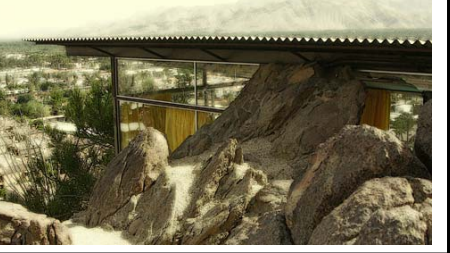
SCALE :  $\frac{1}{4}'' = 1' - 0''$

C

**Team Super Terrific**  
Luis Gil  
Eduardo Dominguez  
Carlo Mantovani  
Mike Jibaja  
Juan Cantoran

**Frey House II**  
Palm Springs, California

**Client**  
Cal Poly Pomona Architecture



Construction Drawings

Rev	Date	Reason for Issue	by

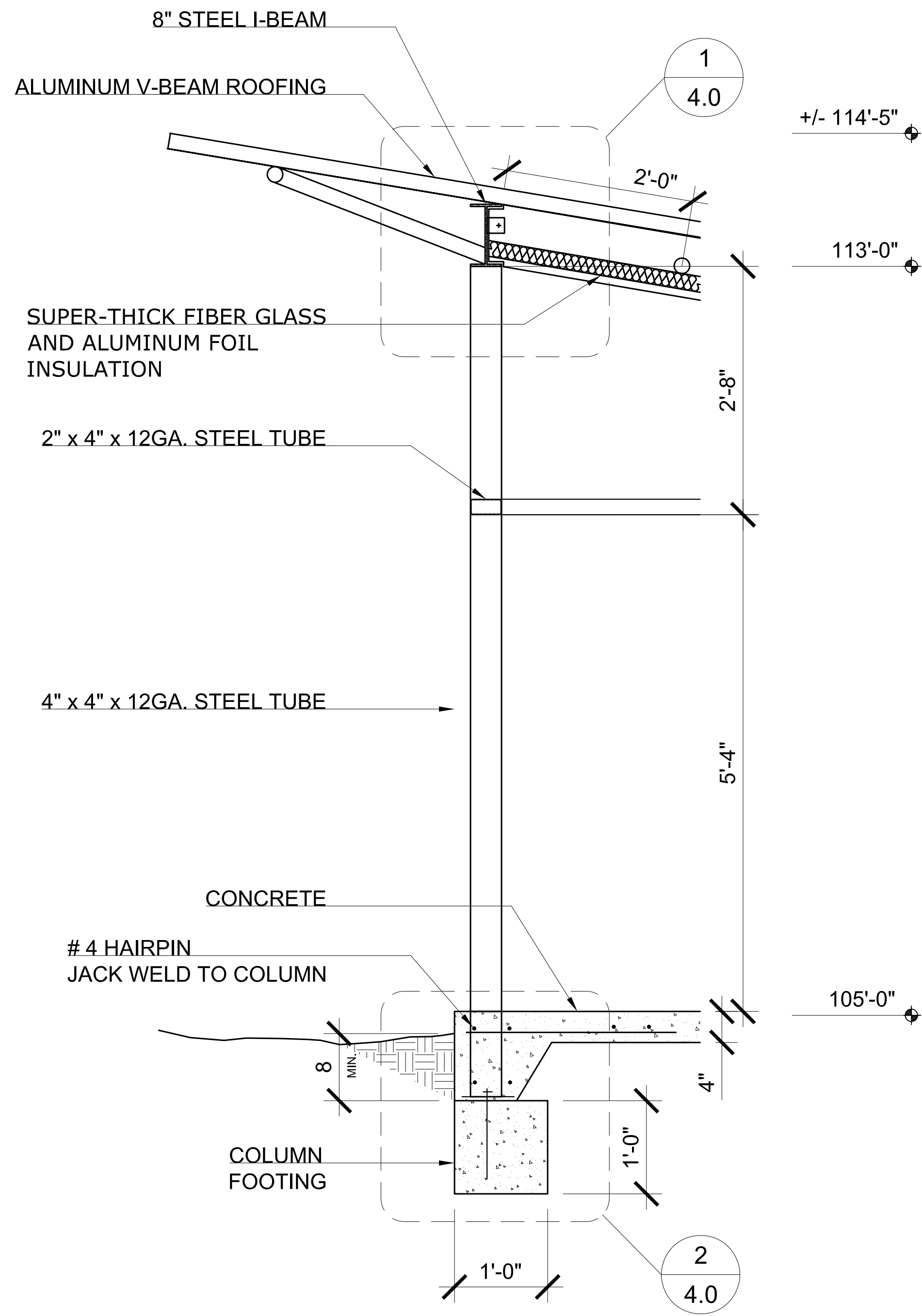
**Elevations**

Originator JL	Job # --
Date 10/13/2008	Scale See Label
Size 24 x 36	Drawn By All
Drawing #	Revision # 00

**A2.0**

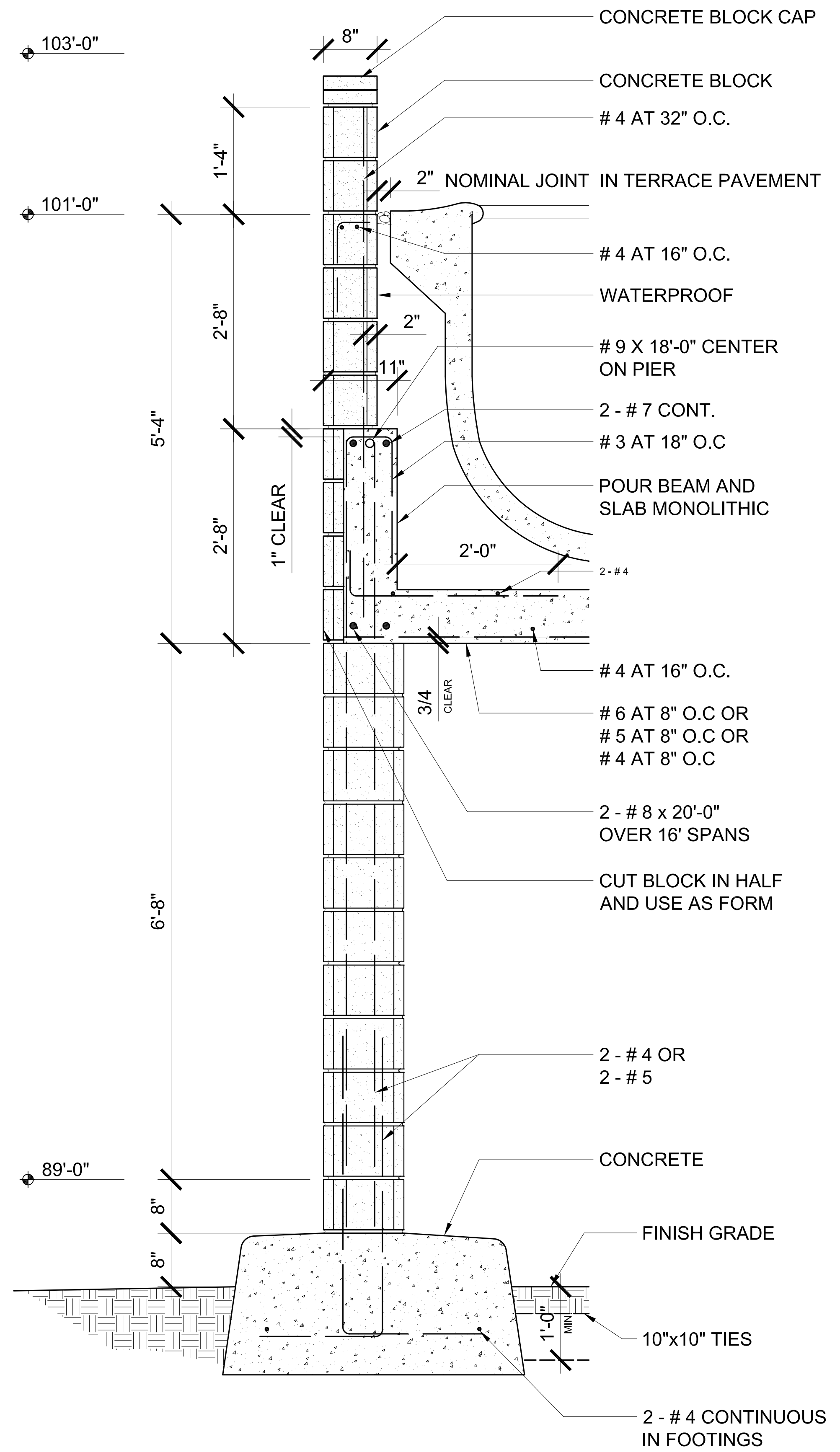






**WALL SECTION @ CORNER**  
SCALE: 1" = 1' - 0"

2



**WALL SECTION @ CAR PORT**  
SCALE: 1" = 1' - 0"

1

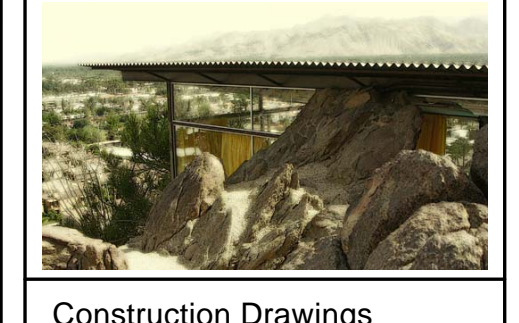
GENERAL NOTES  
1. Do not scale drawings. Dimensions govern.  
2. All dimensions should be verified on site before proceeding with the work.

SPECIFIC NOTES

**Team Super Terrific**  
Luis Gil  
Eduardo Dominguez  
Carlo Mantovani  
Mike Jibaja  
Juan Cantoran

**Frey House II**  
Palm Springs, California

Client  
Cal Poly Pomona Architecture



Construction Drawings

Rev	Date	Reason for Issue	by

Title  
Wall Sections

Originator JL	Job # --
Date 10/13/2008	Scale See Label
Size 24 x 36	Drawn By All
Drawing #	Revision # 00

